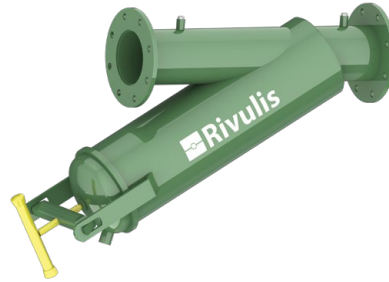


**F3440**

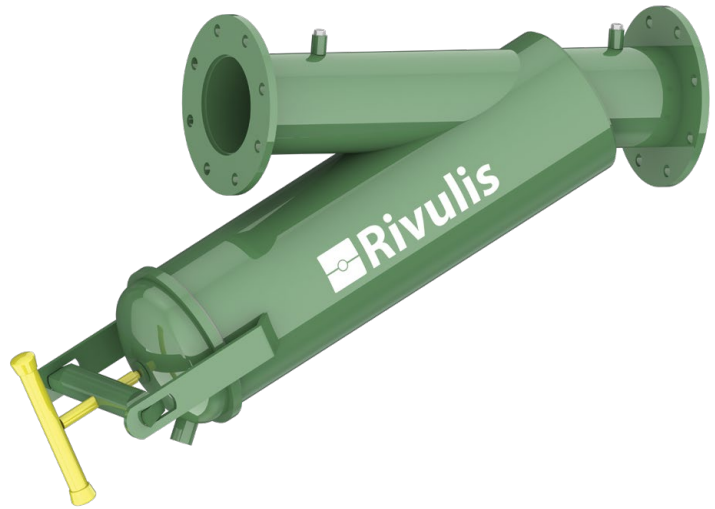


## **F3440 Continuous Circulation Screen Filter**

- Combining screen filtration and centrifugal separation in one filter
- Ideal for heavy sediment load in a manual filtration application

# Product Information

Key Operating Guidelines	
Minimum head loss	0.25 bar
Maximum recommended head loss	0.50 bar
Maximum pressure	10.0 bar



## Rivulis F3440 Continuous Circulation Screen Filter | Product Specifications/Options

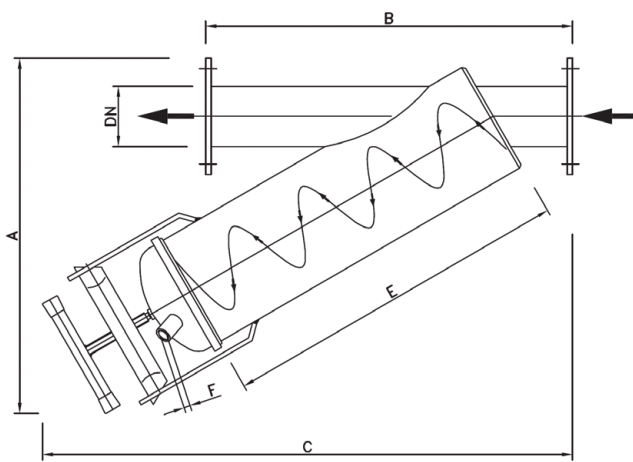
Inlet/outlet		Body	Connections Control	Flow Rate	Screen Area PVC Screen	Screens	Control
inch	mm			m <sup>3</sup> /h	cm <sup>2</sup>	micron	
2	50	In-Line	BSP	38	1498	100, 130	Manual
3	80	In-Line	ISO 16	55	2004	100, 130	Manual
4	100	In-Line	ISO 16	75	3120	100, 130	Manual
6	150	In-Line	ISO 16	150	5456	100, 130	Manual



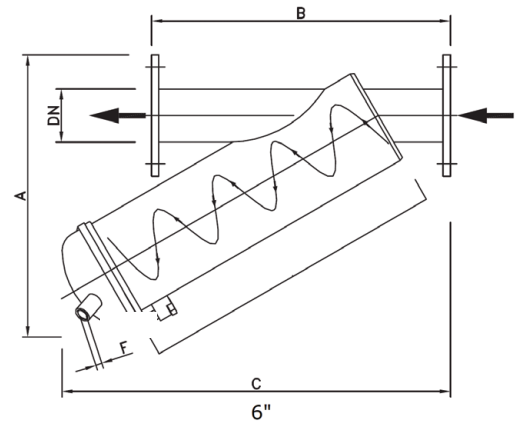


# Product Dimensions and Weight

Size (Inlet/ Outlet)		B	D	A	H	F	Weight
inch	mm	mm	mm	mm	mm	mm	kg
2	50	488	450	693	377	3/4" female	14
3	80	583	495	837	502	3/4" female	21
4	100	672	695	1004	659	3/4" female	41
6	150	938	725	1003	895	3/4" female	66



Models: 2", 3", 4", 5"



Models: 6"

# Head Loss Chart

Inlet/Outlet		Rivulis F3440 Flow Rate Based On Head Loss Chart. Head Loss 0.5 bar									
inch	mm	Plugs	10	11	12	13	14	15	16	17	
2	50	Plugs	10	11	12	13	14	15	16	17	
		Q(m <sup>3</sup> /h)	27	22	19	15	12	9	6	3	
3	80	Plugs	0	1	2	3	4	5	6	7	8
		Q(m <sup>3</sup> /h)	53	51	49	47	43	40	37	34	30
4	100	Plugs	0	1	2	3	4	5	6	7	8
		Q(m <sup>3</sup> /h)	65	63	60	57	54	51	49	46	43
6	150	Plugs	0	1	2	3	4	5	6	7	8
		Q(m <sup>3</sup> /h)	122	107	104	100	98	95	92	90	87

# Product List

Rivulis F3440 Continuous Circulation Screen Filter						
Product Description	Body Style	Inlet/Outlet Size		Connection Type	Screen Rating (micron)	Product Number
		(inch)	(mm)			
F3440 Continuous Circulation 2 inch, 100 mic	In Line	2	50	BSP	100	101050954
F3440 Continuous Circulation 2 inch, 130 mic	In Line	2	50	BSP	130	101050955
F3440 Continuous Circulation 3 inch, 100 mic	In Line	3	80	ISO 16	100	101050956
F3440 Continuous Circulation 3 inch, 130 mic	In Line	3	80	ISO 16	130	101050957
F3440 Continuous Circulation 4 inch, 100 mic	In Line	4	100	ISO 16	100	101050958
F3440 Continuous Circulation 4 inch, 130 mic	In Line	4	100	ISO 16	130	101050959
F3440 Continuous Circulation 6 inch, 100 mic	In Line	6	150	ISO 16	100	101050962
F3440 Continuous Circulation 6 inch, 130 mic	In Line	6	150	ISO 16	130	101050963



Case study outcomes are for information purposes only and actual results may vary. This literature has been compiled for worldwide circulation and the descriptions, photos, and information are for general purpose use only. Please consult with an irrigation specialist and technical specifications for proper use of Rivulis products. Because some products are not available in all regions, please contact your local dealer for details. Rivulis reserves the right to change specifications and the design of all products without notice. Every effort has been used to ensure that product information, including data sheets, schematics, manuals and brochures are correct. However information should be verified before making any decisions based on this information.